

# Bison 20

## 20 000 lbs Hydraulic Recovery Winch



**PN 682030** Std. drum (175 bar / 2 540 psi)  
**PN 682169** Long drum (175 bar / 2 540 psi)

### Features Include

- Robust and reliable heavy duty winch supplied with rollers fairlead and rope tensioner.
- Hardened 2-stage planetary gear train with 30.1 gear ratio provides faster line speed.
- Built-in air clutch for rapid wire rope payout.
- The Multi-Disc Brake (MDB) patented for holding full load.
- Built for heavy duty commercial applications where reliability and performance are paramount
- Roller fairlead, cable tensioner and 2-way counterbalance valve supplied.
- Meets SAE J706 CE machinery directive 2006/42/EC or EN 14492-1:2006 Power Driven Winches.

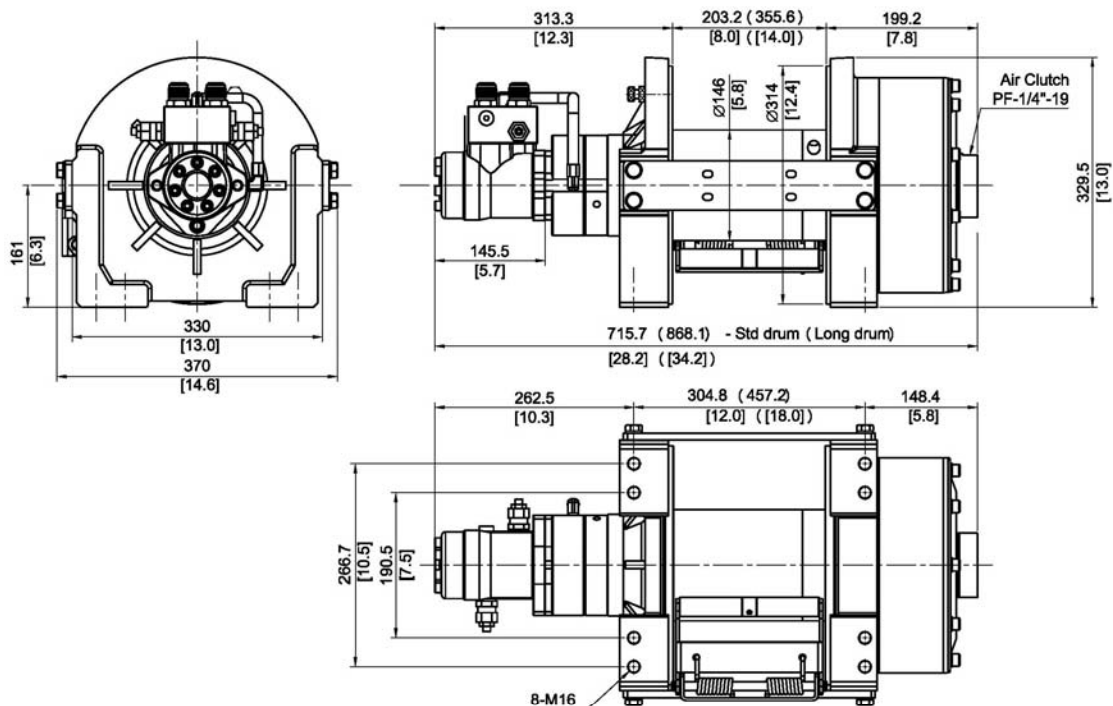
### Specifications

- Rated Line Pull: 9 070 kg / 20 000 lb
- Line Speed: 7.1 mpm 60 l / min at first layer of rope
- Operation Pressure: 175 bar / 2 540 psi
- Max Oil Flow: 60 l / min
- Hydraulic Motor: 155.7 cc
- Gear Train: 2-stage Planetary Gears
- Gear Ratio: 30:1
- Winch Construction: Cast Housings with Steel Drum
- Clutch (Freespooling): Output shaft disengaged
- Brake: Multi-Disc Brake (MDB) patented
- Rotation of Winch: Wire rope under-wound orientation only
- Drum Barrel Diameter: 146 mm
- Drum Flange Diameter: 314 mm
- Distance Between Flanges: 203.2 mm Std Drum, 355.6 mm Long Drum
- Wire Rope Recommended:
  - 14 mm x 43 m Std drum
  - 14 mm x 80 m Long drum
  - 1960 N / mm<sup>2</sup> breaking strength of 137 kN is required for SAE ratings
  - 16 mm x 30 m Std drum
  - 16 mm x 55 m Long Drum
  - 1 960 N / mm<sup>2</sup> breaking strength of 179 kN required for EN-14492-1 ratings

## Line Pull and Rope Capacity

ROPE LAYER	PULL BY LAYER (KG / LB)	LINE SPEED @ 60 L/MIN (MPM)	TOTAL ROPE ON DRUM (M)			
			STD DRUM		LONG DRUM	
			14mm	16mm	14mm	16mm
1	9 070 / 20 000	7.1	7	6	12	11
2	7 719 / 17 017	8.3	15	13	27	24
3	6 719 / 14 813	9.5	24	21	43	39
4	5 948 / 13 113	10.8	34	30	62	55
5	5 335 / 11 762	12.0	43	x	80	x

## Dimensions mm/inch



## Packaging

Winch Weight: 150 kg  
 Gross Weight: 195 kg  
 Box Dimensions: 1 025 x 500 x 510mm

## Standard Accessories

Roller fairlead  
 Counterbalance Valve  
 Cable Tensioner

## WARNING!

- Do not use winch to transport, lift or otherwise move personnel.
- The rated line pull shown is based on the first layer of wire rope on the drum.
- The wire rope must remain on the drum at all time with at least 5 wraps.

## Warranty

Every winch is guaranteed against defects in workmanship and materials for 12 months from date of purchase.